
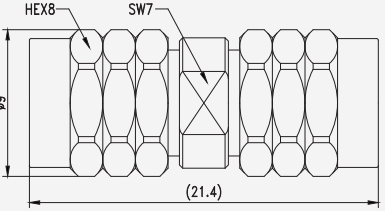

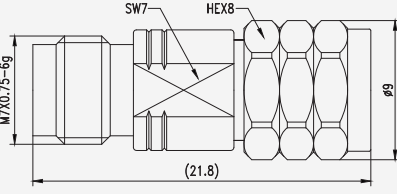

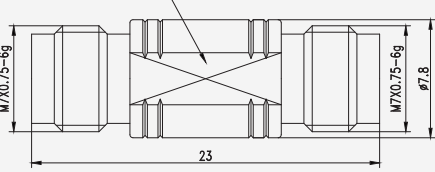

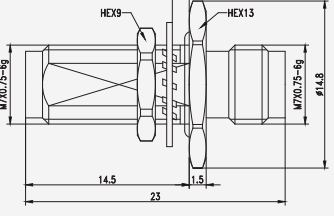


► 185/185 series

Frequency(GHz)	67G	Material/Surface treatment	
Standing wave	1.20	Outer conductor	Stainless steel/deactivation
Durability	1000times	Inner conductor	Beryllium bronze/gold-plated
		Insulator	PEI

185/185-JJG		
185/185-JKG		
185/185-KKG		
185/185-KYKG		
185/185-KFKG	